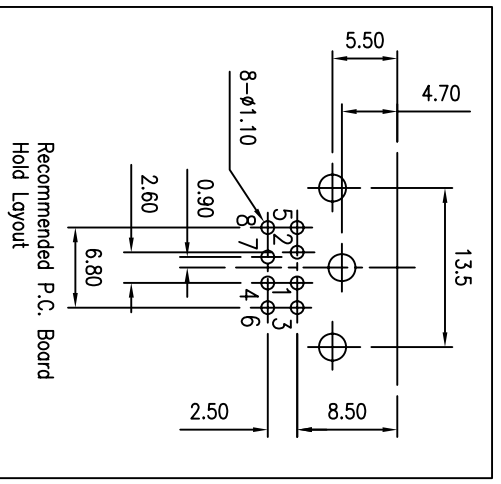
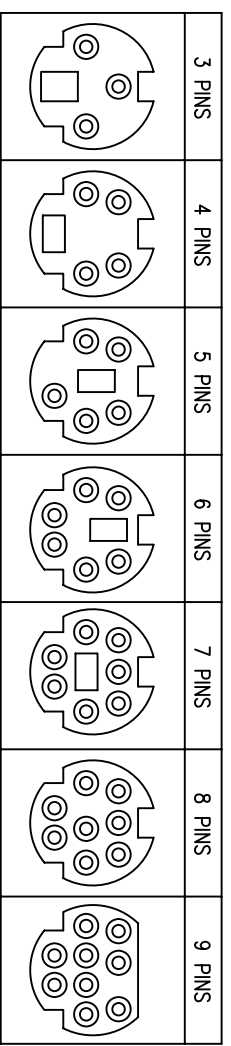
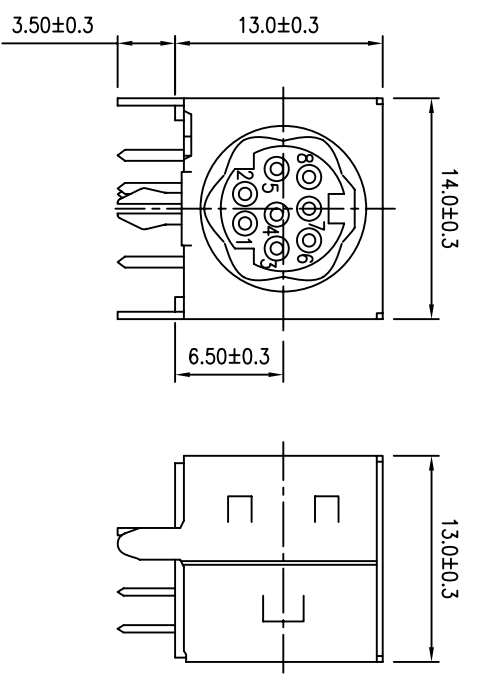


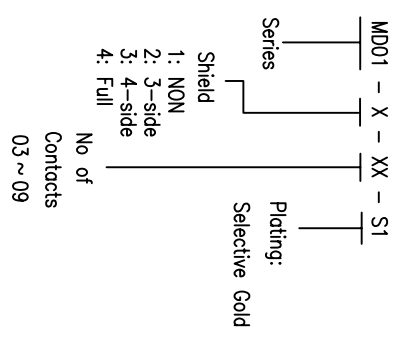
REV	ECN NO.	APP.	DATE
A	NEW DESIGN		



SPECIFICATION

- * Current Rating:
1 A
- * Withstanding Voltage:
500 VAC (1 min.)
- * Insulation Resistance:
100 Megohms MIN.
- * Contact Resistance:
50 Milliohms MAX.
- * Operating Temperature:
-40°C to +85°C

ORDER INFORMATION



MATERIAL

- * Contact: Phosphor Bronze
- * Insulator: PBT & G.F.
- * Plating: Selective Gold

SHINHWHA TECH CO.,LTD

0.0±	SCALE:	TITLE:	PART NO:
0.00±	UNIT: MM	MINI DIN Jack Serie	APP BY:
0.000±			CHK BY:
		MATL: PBT + G.F.	DR BY:
		DWG. NO. MD01	